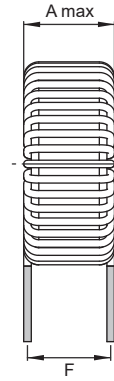
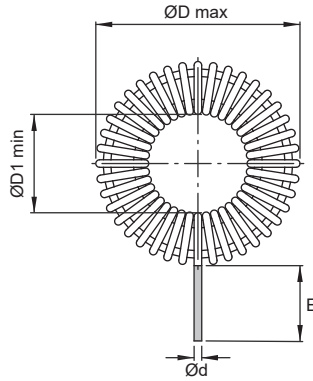


TLC/0.25A



Toroid Line Chokes (TLC)

| Part No | Inductance (fL = 1 kHz) | | Tol ± (%) | DCR max (mΩ) | Weight (grams) | Dimensions | | | | | SPQ: Loose / Box | |
|-------------------|-------------------------|--------------------------|--------------|--------------------|-------------------|------------|-----|----------|----|------|---------------------|------------|
| | At Idc=0A (μH) | At rated current (μH) | | | | ØD max | F | A max | E | Ød | | ØD1 min |
| TLC/0.25A-100M-00 | 10 | 10 | 20 | 130 | 2 | 12 | 4 | 5 | 10 | 0.23 | 4.5 | 2000 |
| TLC/0.25A-150M-00 | 15 | 14.9 | 20 | 165 | 2 | 12 | 4 | 5 | 10 | 0.23 | 4.5 | 2000 |
| TLC/0.25A-220M-00 | 22 | 21.8 | 20 | 195 | 2.1 | 12 | 4 | 5 | 10 | 0.23 | 4.5 | 2000 |
| TLC/0.25A-330M-00 | 33 | 32.6 | 20 | 235 | 2.1 | 12 | 4 | 5 | 10 | 0.23 | 4.5 | 2000 |
| TLC/0.25A-470M-00 | 47 | 46.3 | 20 | 260 | 2.1 | 12.5 | 4 | 5 | 10 | 0.23 | 4.5 | 2000 |
| TLC/0.25A-680M-00 | 68 | 66.5 | 20 | 325 | 2.2 | 12 | 4 | 5 | 10 | 0.23 | 4.5 | 2000 |
| TLC/0.25A-101M-00 | 100 | 97 | 20 | 360 | 2.2 | 12.5 | 4 | 5 | 10 | 0.23 | 4.5 | 2000 |
| TLC/0.25A-151M-00 | 150 | 143.5 | 20 | 490 | 2.3 | 12 | 4 | 5 | 10 | 0.23 | 4.5 | 2000 |
| TLC/0.25A-221M-00 | 220 | 207.2 | 20 | 580 | 2.3 | 12.5 | 4 | 5 | 10 | 0.23 | 4.5 | 2000 |
| TLC/0.25A-331M-00 | 330 | 303.3 | 20 | 750 | 2.4 | 12.5 | 4 | 5 | 10 | 0.23 | 4.5 | 2000 |
| TLC/0.25A-471M-00 | 470 | 429.6 | 20 | 1030 | 3.3 | 14.5 | 4.5 | 6.5 | 10 | 0.23 | 4.6 | 1500 |
| TLC/0.25A-681M-00 | 680 | 602.5 | 20 | 1300 | 3.5 | 14 | 4.5 | 6.5 | 10 | 0.23 | 4.5 | 1500 |
| TLC/0.25A-102M-00 | 1000 | 849 | 20 | 1420 | 3.6 | 15 | 4.5 | 6.5 | 10 | 0.23 | 4.5 | 1500 |

Core Material: Iron dust

Revision date: 08 Aug 2014

Remarks: Customized versions available upon request.