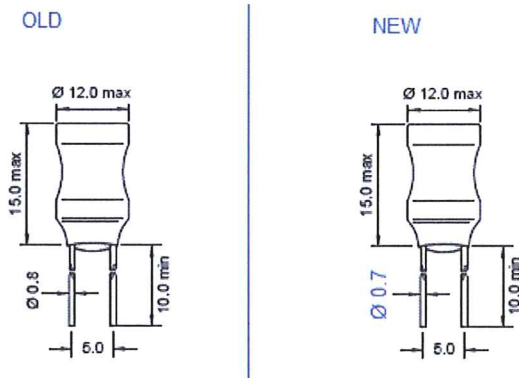


To: All FASTRON Customer

Date: 23 June 2016

PCN no: 000316

**Concerning Part Name** : 11PHC  
**Product Type** : Plugable Inductors ( Pin Type Coils)  
**Classification of Change** : Dimension  
**Description of Change** : Change Leads wire diameter from  $\varnothing 0.8$  mm to  $\varnothing 0.7$ mm as below drawing.  
**Reason of Change** : Design improvement in accordance to our customers demand



. All dimensions in mm

**Expected Influence** : No influence on component dimensions and electrical parameters.  
**Product Identification** : Not applicable  
**Product Availability** : December 2016 delivery onwards

**Prepared by:**  
Beng Guat, Ng  
R&D, Head of Department

**Approved by:**  
Mr. Krisztian Kovacs  
General Manager