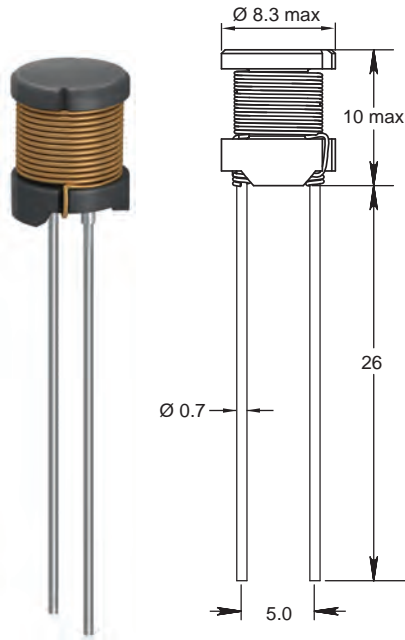
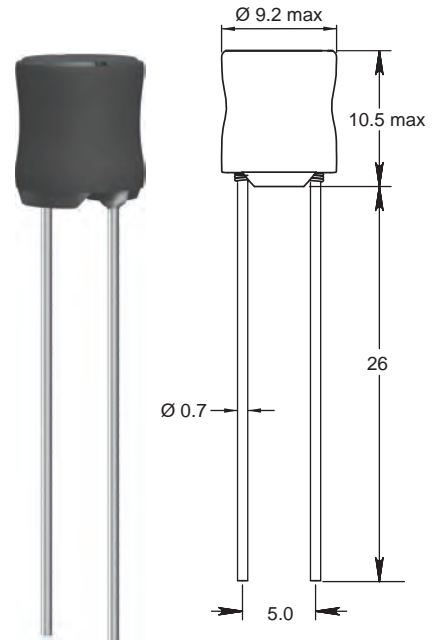


07 HVP, 07 HVP/T

For High Voltages up to 400V DC



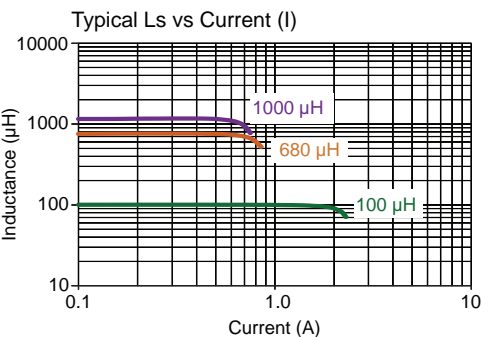
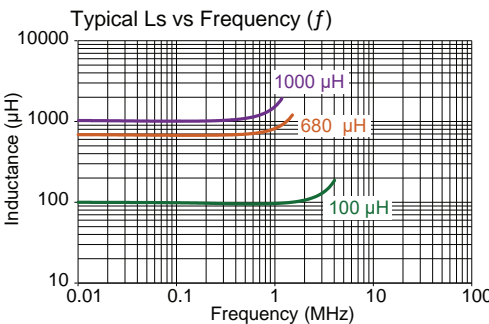
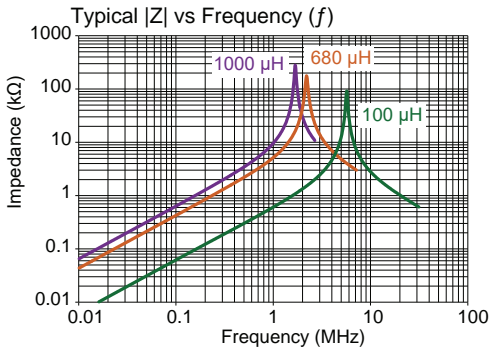
07 HVP



07 HVP/T
(With Tube)

(Pin Type Coils)

Pluggable Inductors



| Part No | Inductance | f _L | Tol | SRF | DCR | Rated DC Current (A) | |
|---------------|------------|----------------|-------|-----------|---------|----------------------|----------------------|
| | L (μH) | (kHz) | ± (%) | typ (MHz) | max (Ω) | I _{max} | I _{sat} typ |
| 07HVP-560K-51 | 56 | 1 @ 0.25 V | 10 | 5.97 | 0.13 | 1.93 | 1.97 |
| 07HVP-101K-51 | 100 | 1 @ 0.25 V | 10 | 4.42 | 0.23 | 1.44 | 1.60 |
| 07HVP-121K-51 | 120 | 1 @ 0.25 V | 10 | 3.80 | 0.29 | 1.14 | 1.45 |
| 07HVP-221K-51 | 220 | 1 @ 0.25 V | 10 | 3.14 | 0.52 | 1.00 | 1.10 |
| 07HVP-271K-51 | 270 | 1 @ 0.25 V | 10 | 2.60 | 0.70 | 0.68 | 1.00 |
| 07HVP-331K-51 | 330 | 1 @ 0.25 V | 10 | 2.20 | 0.75 | 0.68 | 0.90 |
| 07HVP-471K-51 | 470 | 1 @ 0.25 V | 10 | 2.00 | 1.18 | 0.58 | 0.75 |
| 07HVP-681K-51 | 680 | 1 @ 0.25 V | 10 | 1.66 | 1.57 | 0.57 | 0.68 |
| 07HVP-821K-51 | 820 | 1 @ 0.25 V | 10 | 1.45 | 1.97 | 0.53 | 0.59 |
| 07HVP-102K-51 | 1000 | 1 @ 0.25 V | 10 | 1.30 | 2.57 | 0.44 | 0.50 |
| 07HVP-122K-51 | 1200 | 1 @ 0.25 V | 10 | 1.26 | 2.98 | 0.34 | 0.55 |
| 07HVP-222K-51 | 2200 | 1 @ 0.25 V | 10 | 0.90 | 5.20 | 0.26 | 0.32 |

Core Material: Ferrite

Revision date: 25 Aug 2022

SPQ:

| Packaging Form | Taped / Reel |
|----------------|--------------|
| Radial | 500 [-51] |