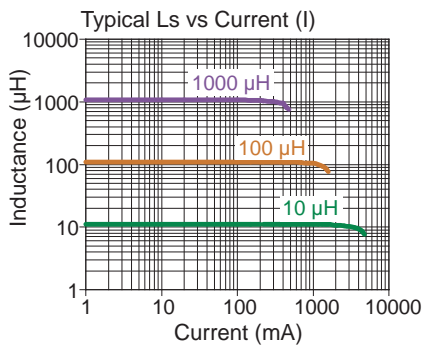
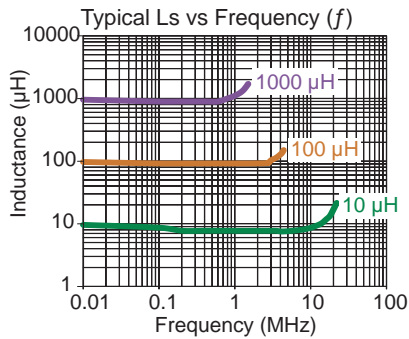
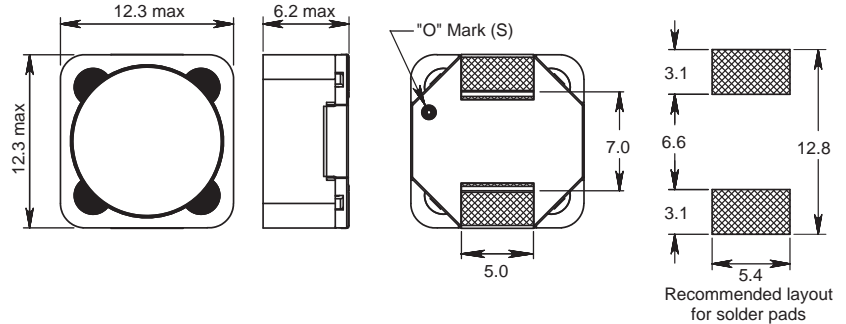
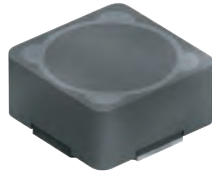


PISA 4720



Magnetically Shielded

Engineer's Kit: EK-PISA4720-X



Part No	Inductance	f_L	Tol	DCR	Rated DC
	L (µH)	(kHz)	± (%)	max (mΩ)	Current I (A)
PISA4720-1R3N-04	1.3	7960	30	12	8.0
PISA4720-2R1N-04	2.1	7960	30	14	7.0
PISA4720-3R1N-04	3.1	7960	30	17	5.0
PISA4720-4R4N-04	4.4	7960	30	20	5.0
PISA4720-5R8N-04	5.8	7960	30	21	4.4
PISA4720-6R8N-04	6.8	7960	30	30	4.2
PISA4720-7R5N-04	7.5	7960	30	24	4.2
PISA4720-100M-04	10	1	20	25	4.0
PISA4720-120M-04	12	1	20	27	3.5
PISA4720-150M-04	15	1	20	30	3.3
PISA4720-180M-04	18	1	20	34	3.0
PISA4720-220M-04	22	1	20	36	2.8
PISA4720-270M-04	27	1	20	51	2.3
PISA4720-330M-04	33	1	20	57	2.1
PISA4720-360M-04	36	1	20	61	2.0
PISA4720-390M-04	39	1	20	68	2.0
PISA4720-470M-04	47	1	20	75	1.8
PISA4720-560M-04	56	1	20	110	1.7
PISA4720-680M-04	68	1	20	120	1.5
PISA4720-820M-04	82	1	20	140	1.4
PISA4720-101M-04	100	1	20	160	1.3
PISA4720-121M-04	120	1	20	170	1.1
PISA4720-151M-04	150	1	20	230	1.0
PISA4720-181M-04	180	1	20	290	0.9
PISA4720-221M-04	220	1	20	400	0.8
PISA4720-271M-04	270	1	20	460	0.75
PISA4720-331M-04	330	1	20	510	0.68
PISA4720-391M-04	390	1	20	690	0.65
PISA4720-471M-04	470	1	20	770	0.58
PISA4720-561M-04	560	1	20	860	0.54
PISA4720-681M-04	680	1	20	1200	0.48
PISA4720-821M-04	820	1	20	1340	0.43
PISA4720-102M-04	1000	1	20	1530	0.40

Core Material: Ferrite

Revision date: 29 Nov 2023

Base Material: Plastic

SPQ: Taped / Reel 500 [-04]

Remarks: - Additional gluing to PCB board is recommended.
- I - see description in Inductors Technical Data.