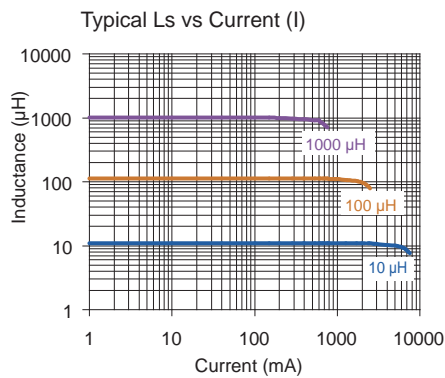
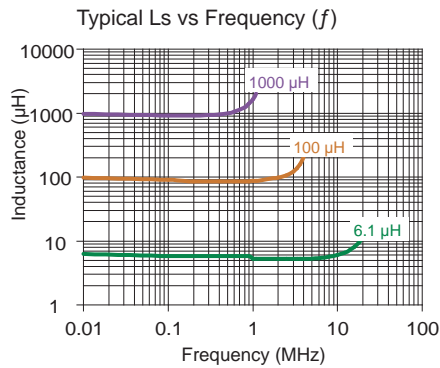
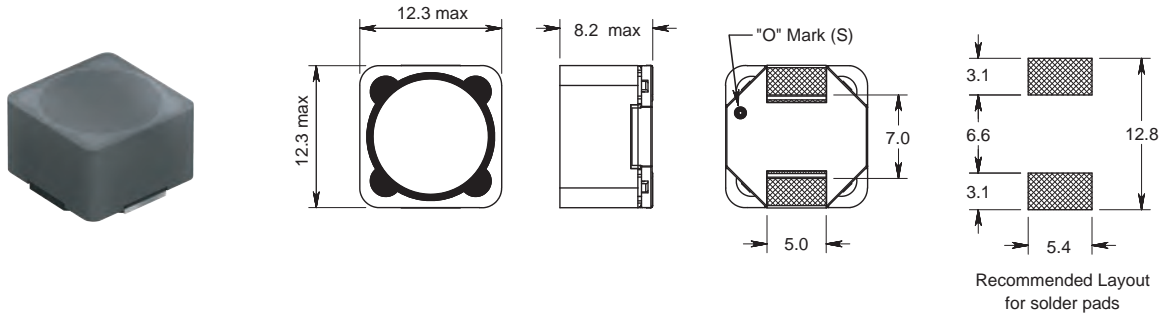


PISA 4728



Magnetically Shielded

Engineer's Kit: EK-PISA4728-X



Part No	Inductance	f_L	ToI	DCR max (mΩ)	Rated DC Current I (A)
	L (µH)	(kHz)	± (%)		
PISA4728-1R2N-04	1.2	100	30	7.0	9.8
PISA4728-2R4N-04	2.4	100	30	11.5	8.0
PISA4728-3R5N-04	3.5	100	30	13.5	7.5
PISA4728-4R7N-04	4.7	100	30	15.8	6.8
PISA4728-5R6N-04	5.6	100	30	15.8	6.7
PISA4728-6R1N-04	6.1	100	30	17.6	6.6
PISA4728-7R6N-04	7.6	100	30	20.0	5.9
PISA4728-100M-04	10	1	20	21.6	5.4
PISA4728-120M-04	12	1	20	24.3	4.9
PISA4728-150M-04	15	1	20	27.0	4.5
PISA4728-180M-04	18	1	20	39.2	3.9
PISA4728-220M-04	22	1	20	43.2	3.6
PISA4728-270M-04	27	1	20	45.9	3.4
PISA4728-330M-04	33	1	20	64.8	3.0
PISA4728-390M-04	39	1	20	72.9	2.75
PISA4728-470M-04	47	1	20	100	2.50
PISA4728-560M-04	56	1	20	110	2.35
PISA4728-680M-04	68	1	20	140	2.10
PISA4728-820M-04	82	1	20	160	1.95
PISA4728-101M-04	100	1	20	220	1.70
PISA4728-121M-04	120	1	20	250	1.60
PISA4728-151M-04	150	1	20	280	1.42
PISA4728-181M-04	180	1	20	350	1.30
PISA4728-221M-04	220	1	20	390	1.16
PISA4728-271M-04	270	1	20	560	1.06
PISA4728-331M-04	330	1	20	640	0.95
PISA4728-391M-04	390	1	20	700	0.88
PISA4728-471M-04	470	1	20	980	0.79
PISA4728-561M-04	560	1	20	1070	0.73
PISA4728-681M-04	680	1	20	1480	0.67
PISA4728-821M-04	820	1	20	1640	0.60
PISA4728-102M-04	1000	1	20	1820	0.55
PISA4728-152M-04	1500	1	20	2300	0.45

Core Material: Ferrite
Base Material: Plastic

Revision date: 29 Nov 2023

SPQ: Taped / Reel 500 [-04]

Remarks: - Additional gluing to PCB board is recommended.
- I - see description in Inductors Technical Data.